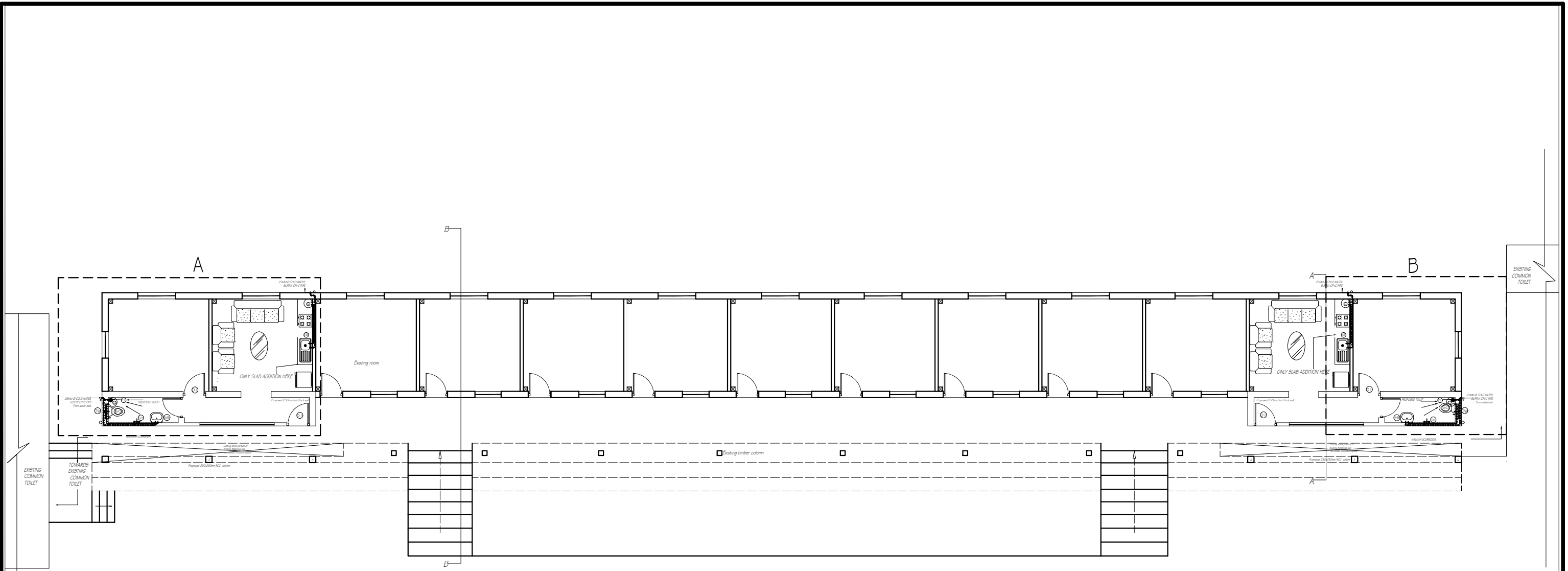


PLUMBING LAYOUT PLAN



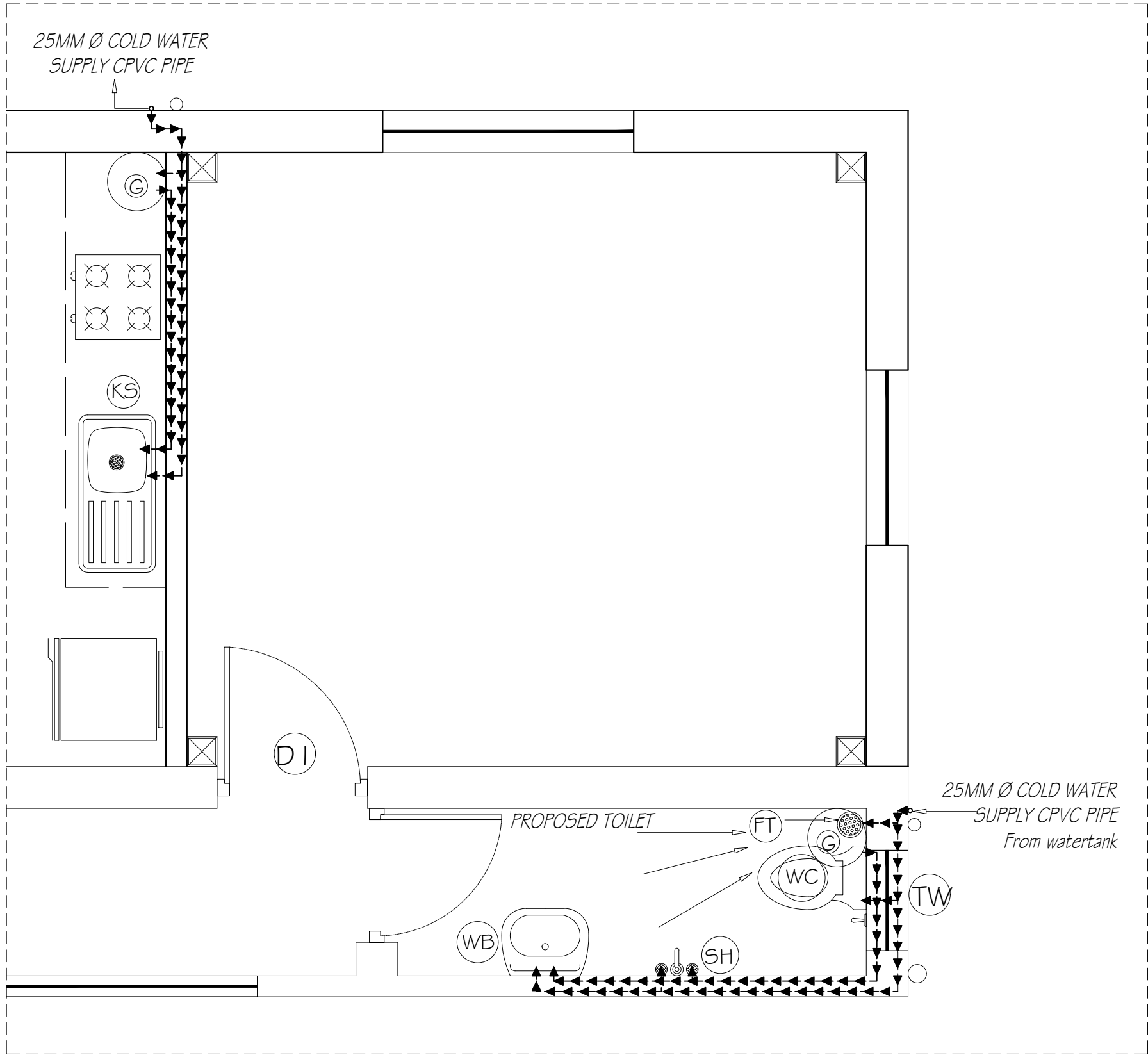


FRONT

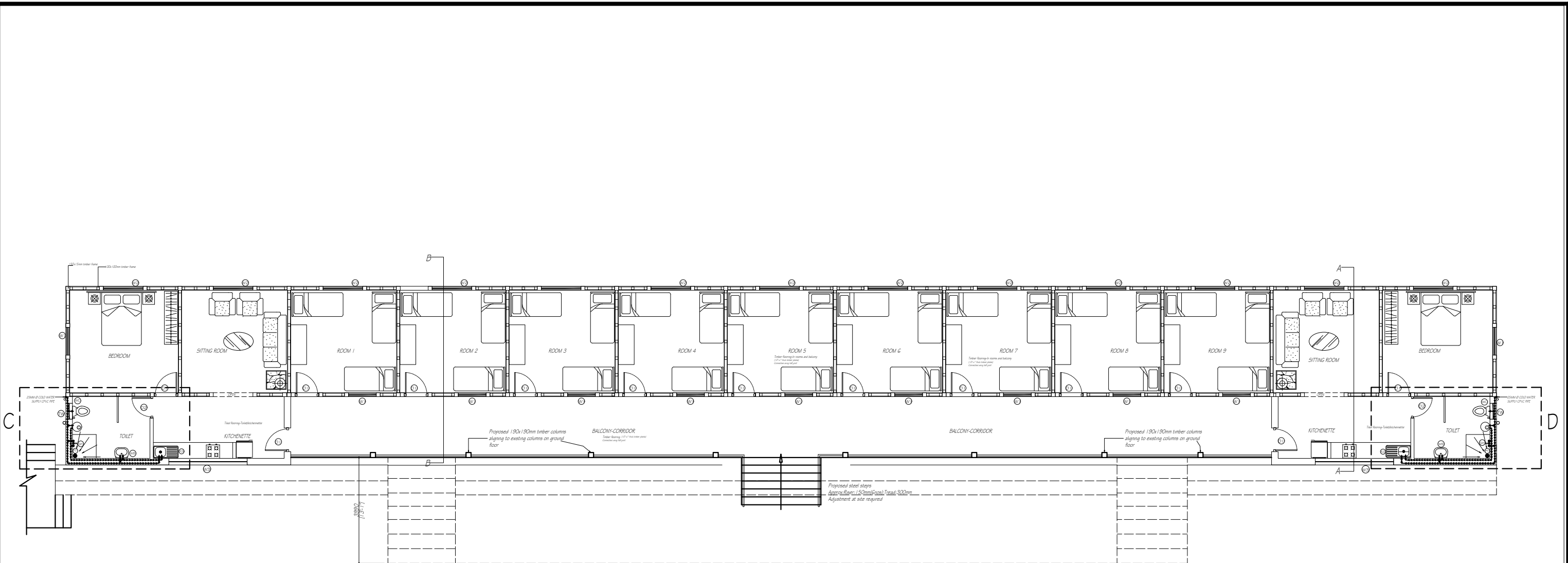
PROPOSED TOILET & KITCHENETTE ON EXISTING GROUND FLOOR PLAN-GIRLS HOSTEL

DRAWING TITLE: PLUMBING LAYOUT		CLIENT/OWNER		LOCATION:	SHEET NO.	DRAWING NO.	REVISION		NOTES -ALL DIMENSIONS ARE IN MILLIMETERS UNLESS SPECIFIED OTHERWISE -ALL RELATIVE LEVELS ARE IN METERS UNLESS SPECIFIED OTHERWISE -ALL DIMENSIONS MEASURE UNFINISHED SURFACES UNLESS SPECIFIED OTHERWISE -ALL DIMENSIONS ARE TO BE READ AND NOT SCALED OFF -ANY DISCREPANCY IN DRAWING IS TO BE BROUGHT TO THE IMMEDIATE NOTICE OF THE CONSULTANTS SUPERVISION TEAM -MINOR ADJUSTMENTS NEED TO BE CARRIED OUT ON SITE TO MATCH WITH EXISTING BUILDING
SHEET TITLE: GROUND FLOOR PLUMBING LAYOUT				HONGTSHO, THIMPHU	2		1.		
ARCHITECT	Rubhina Chhetri (BA-217(P)) (KaRu Design Consultancy)	CHECKED BY	PLOT NUMBER	SCALE			2.		
			THARM NUMBER	NTS		3.			
							4.		





DRAWING TITLE: PLUMBING LAYOUT		CLIENT/OWNER		LOCATION:	SHEET NO.	DRAWING NO.	REVISION		NOTES -ALL DIMENSIONS ARE IN MILLIMETERS UNLESS SPECIFIED OTHERWISE -ALL RELATIVE LEVELS ARE IN METERS UNLESS SPECIFIED OTHERWISE -ALL DIMENSIONS MEASURE UNFINISHED SURFACES UNLESS SPECIFIED OTHERWISE -ALL DIMENSIONS ARE TO BE READ AND NOT SCALED OFF -ANY DISCREPANCY IN DRAWING IS TO BE BROUGHT TO THE IMMEDIATE NOTICE OF THE CONSULTANTS SUPERVISION TEAM -MINOR ADJUSTMENTS NEED TO BE CARRIED OUT ON SITE TO MATCH WITH EXISTING BUILDING
SHEET TITLE: DETAIL B				HONGTSHO, THIMPHU	4		1.		
ARCHITECT	Rubhina Chhetri (BA-217(P)) (KaRu Design Consultancy)	CHECKED BY	PLOT NUMBER		SCALE		2.		
			THARM NUMBER		NTS		3.		
							4.		



FRONT

PROPOSED EXTENSION OF ONE FLOOR(FIRST FLOOR PLAN)-GIRLS HOSTEL

DRAWING TITLE: PLUMBING LAYOUT		CLIENT/OWNER		LOCATION:	SHEET NO.	DRAWING NO.	REVISION		NOTES -ALL DIMENSIONS ARE IN MILLIMETERS UNLESS SPECIFIED OTHERWISE -ALL RELATIVE LEVELS ARE IN METERS UNLESS SPECIFIED OTHERWISE -ALL DIMENSIONS MEASURE UNFINISHED SURFACES UNLESS SPECIFIED OTHERWISE -ALL DIMENSIONS ARE TO BE READ AND NOT SCALED OFF -ANY DISCREPANCY IN DRAWING IS TO BE BROUGHT TO THE IMMEDIATE NOTICE OF THE CONSULTANTS SUPERVISION TEAM -MINOR ADJUSTMENTS NEED TO BE CARRIED OUT ON SITE TO MATCH WITH EXISTING BUILDING
SHEET TITLE: FIRST FLOOR PLUMBING LAYOUT				HONGTSHO, THIMPHU	5		1.		
ARCHITECT	Rubhina Chhetri (BA-217(P)) (KaRu Design Consultancy)	CHECKED BY	PLOT NUMBER	SCALE			2.		
			THARM NUMBER	NTS		3.			
							4.		





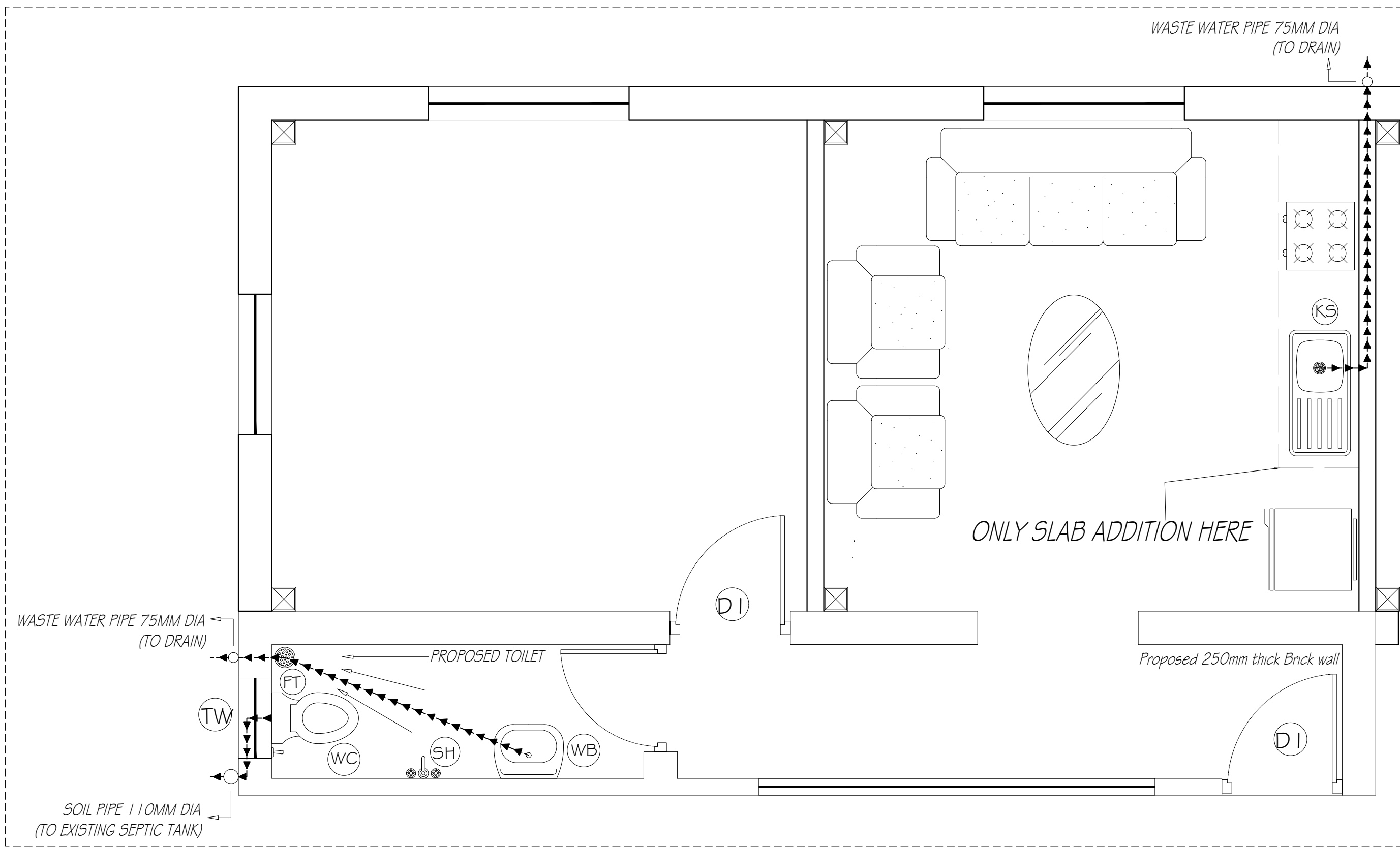




S E W E R A G E L A Y O U T P L A N







DRAWING TITLE: SEWERAGE LAYOUT

SHEET TITLE: DETAIL A

CLIENT/OWNER

LOCATION:

SHEET NO.

DRAWING NO.

REVISION

NOTES

HONGTSHO, THIMPHU

3

SCALE

NTS

1.

2.

3.

4.

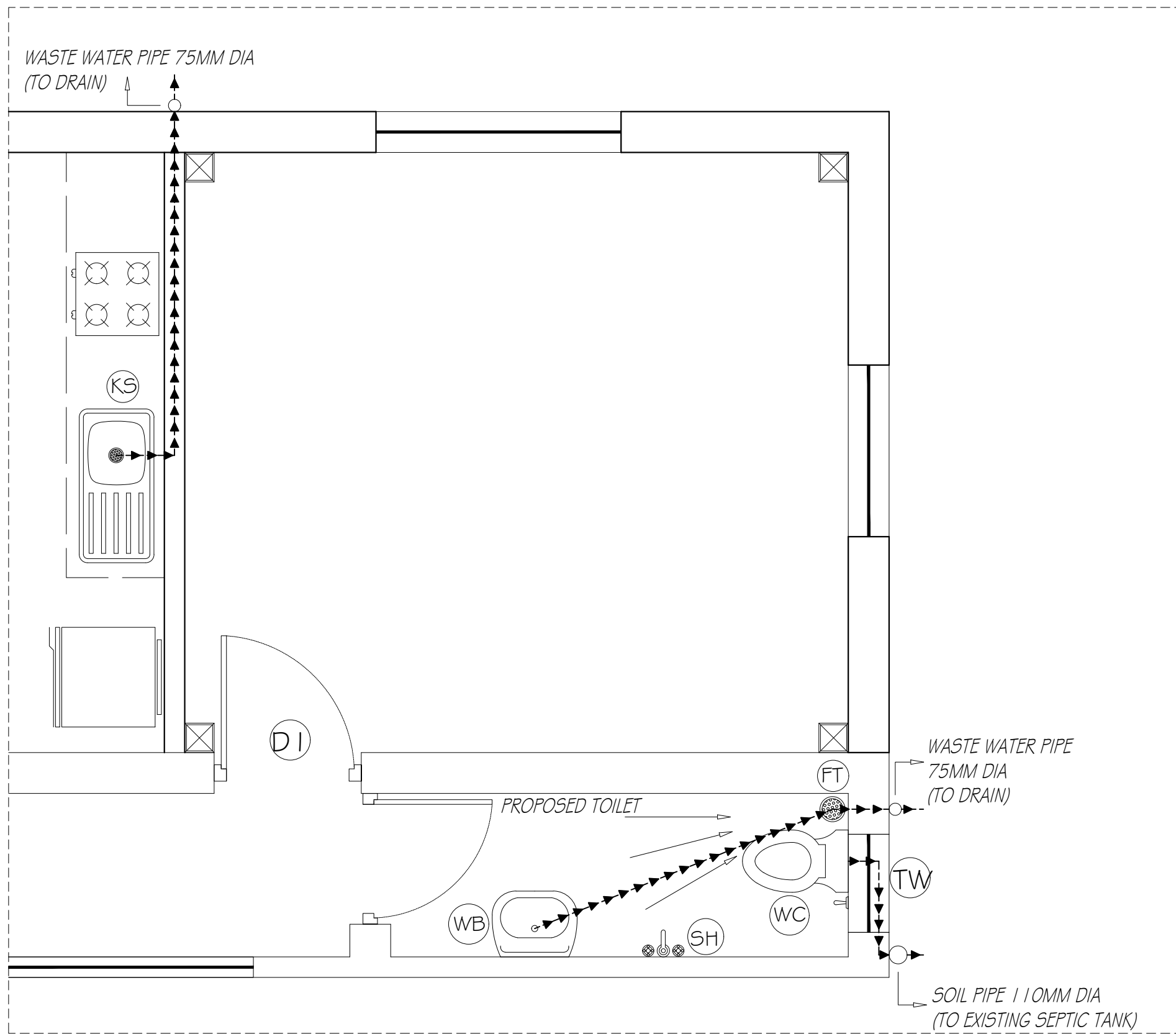
-ALL DIMENSIONS ARE IN MILLIMETERS UNLESS SPECIFIED OTHERWISE  
 -ALL RELATIVE LEVELS ARE IN METERS UNLESS SPECIFIED OTHERWISE  
 -ALL DIMENSIONS MEASURE UNFINISHED SURFACES UNLESS SPECIFIED OTHERWISE  
 -ALL DIMENSIONS ARE TO BE READ AND NOT SCALED OFF  
 -ANY DISCREPANCY IN DRAWING IS TO BE BROUGHT TO THE IMMEDIATE NOTICE OF THE CONSULTANTS SUPERVISION TEAM  
 -MINOR ADJUSTMENTS NEED TO BE CARRIED OUT ON SITE TO MATCH WITH EXISTING BUILDING

ARCHITECT Rubhina Chhetri  
 (BA-217(P))  
 (KaRu Design Consultancy)

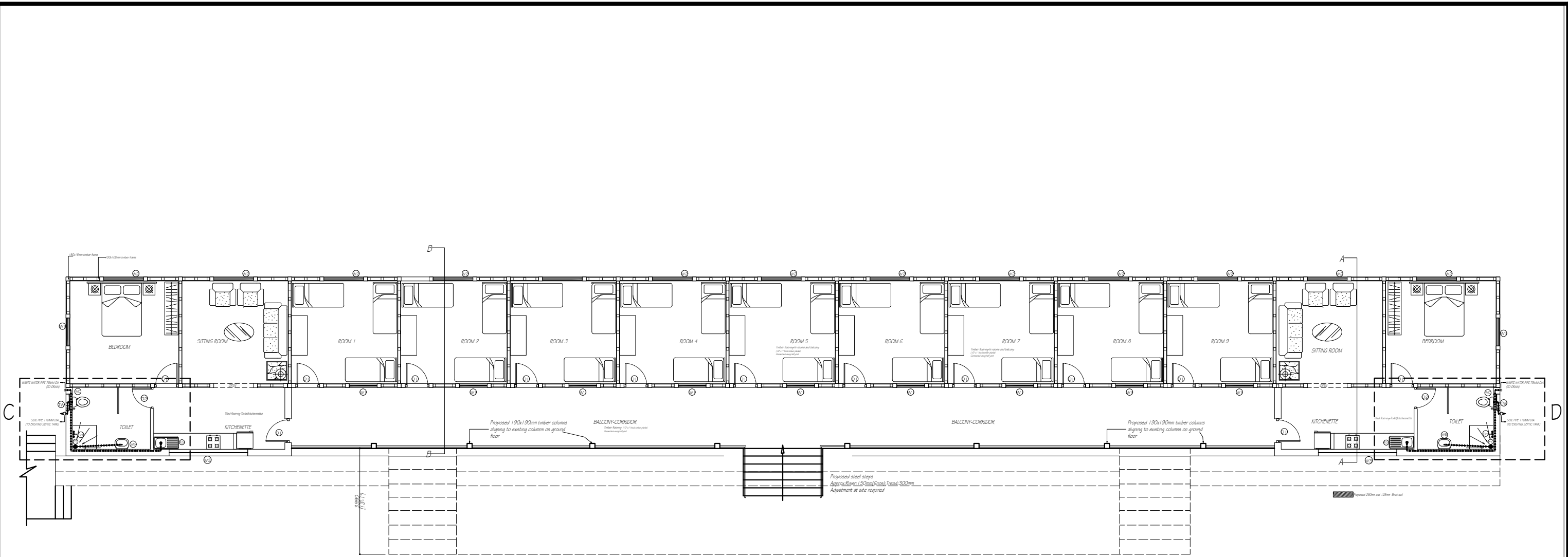
CHECKED BY

PLOT NUMBER

THARM NUMBER



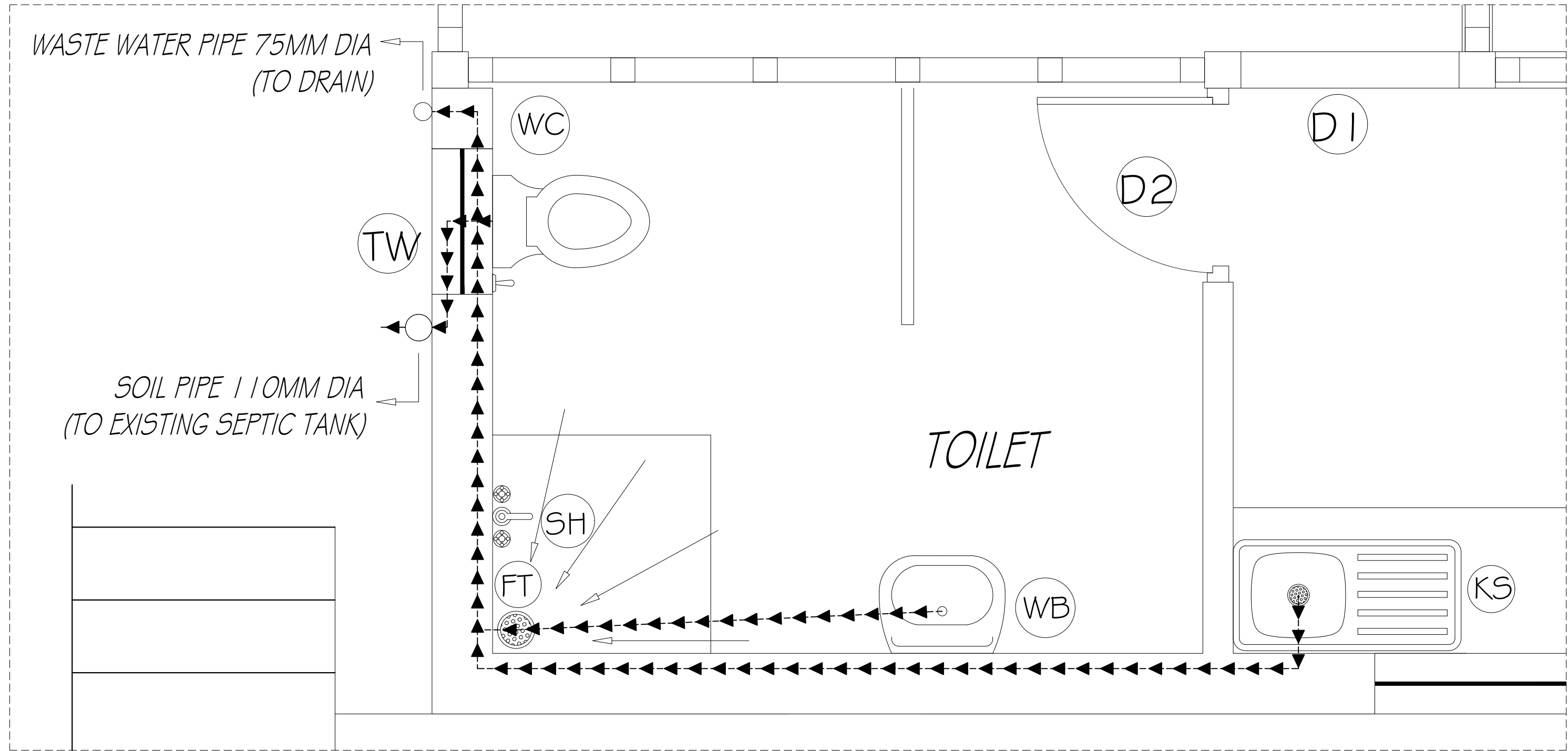
DRAWING TITLE: SEWERAGE LAYOUT		CLIENT/OWNER		LOCATION:	SHEET NO.	DRAWING NO.	REVISION		NOTES -ALL DIMENSIONS ARE IN MILLIMETERS UNLESS SPECIFIED OTHERWISE -ALL RELATIVE LEVELS ARE IN METERS UNLESS SPECIFIED OTHERWISE -ALL DIMENSIONS MEASURE UNFINISHED SURFACES UNLESS SPECIFIED OTHERWISE -ALL DIMENSIONS ARE TO BE READ AND NOT SCALED OFF -ANY DISCREPANCY IN DRAWING IS TO BE BROUGHT TO THE IMMEDIATE NOTICE OF THE CONSULTANTS SUPERVISION TEAM -MINOR ADJUSTMENTS NEED TO BE CARRIED OUT ON SITE TO MATCH WITH EXISTING BUILDING
SHEET TITLE: DETAIL B				HONGTSHO, THIMPHU	4		1.		
ARCHITECT	Rubhina Chhetri (BA-217(P)) (KaRu Design Consultancy)	CHECKED BY	PLOT NUMBER		SCALE		2.		
			THARM NUMBER		NTS		3.		
							4.		



FRONT

PROPOSED EXTENSION OF ONE FLOOR (FIRST FLOOR PLAN)-GIRLS HOSTEL

DRAWING TITLE: SEWERAGE LAYOUT		CLIENT/OWNER		LOCATION:	SHEET NO.	DRAWING NO.	REVISION		<b>NOTES</b> -ALL DIMENSIONS ARE IN MILLIMETERS UNLESS SPECIFIED OTHERWISE -ALL RELATIVE LEVELS ARE IN METERS UNLESS SPECIFIED OTHERWISE -ALL DIMENSIONS MEASURE UNFINISHED SURFACES UNLESS SPECIFIED OTHERWISE -ALL DIMENSIONS ARE TO BE READ AND NOT SCALED OFF -ANY DISCREPANCY IN DRAWING IS TO BE BROUGHT TO THE IMMEDIATE NOTICE OF THE CONSULTANTS SUPERVISION TEAM -MINOR ADJUSTMENTS NEED TO BE CARRIED OUT ON SITE TO MATCH WITH EXISTING BUILDING
SHEET TITLE: FIRST FLOOR SEWERAGE LAYOUT				HONGTSHO, THIMPHU	5		1.		
ARCHITECT	Rubhina Chhetri (BA-217(P)) (KaRu Design Consultancy)	CHECKED BY	PLOT NUMBER	SCALE			2.		
			THARM NUMBER	NTS		3.			
						4.			



DRAWING TITLE: SEWERAGE LAYOUT

SHEET TITLE: DETAIL C

ARCHITECT  
**Rubhina Chhetri**  
 (BA-217(P))  
 (KaRu Design Consultancy)

CHECKED BY

CLIENT/OWNER  
 PLOT NUMBER  
 THARM NUMBER

LOCATION:  
 HONGTSHO, THIMPHU

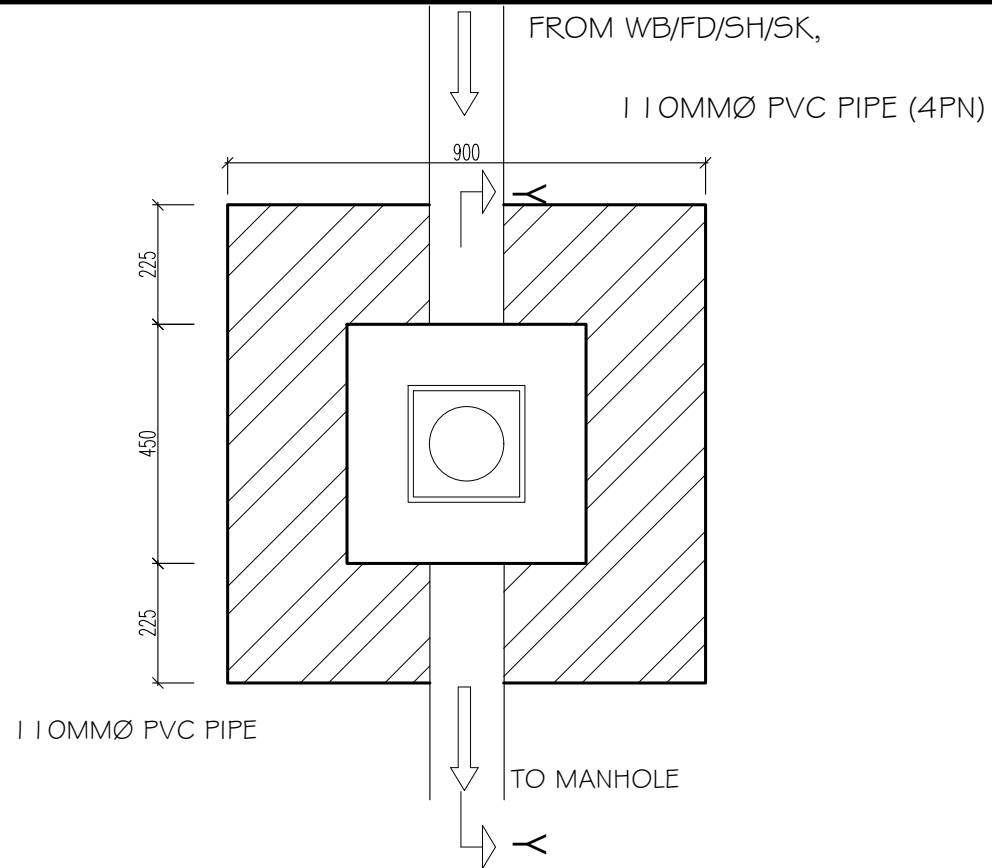
SHEET NO.  
**6**  
 SCALE  
 NTS

DRAWING NO.

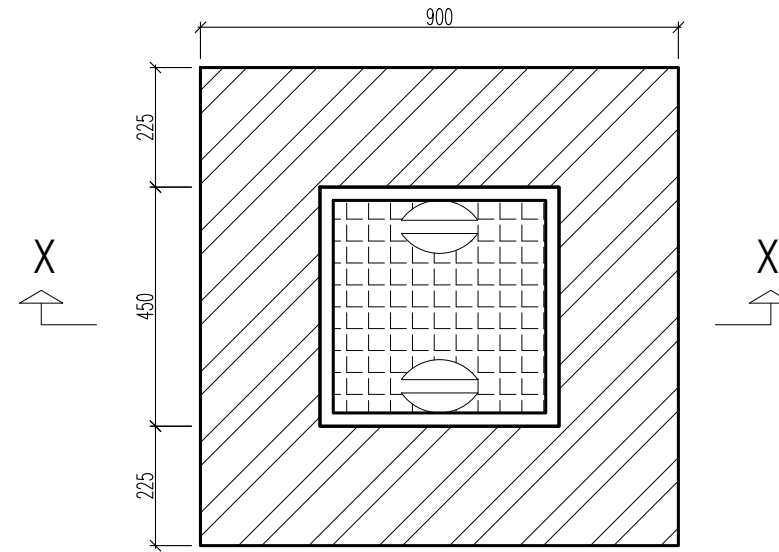
REVISION	
1.	
2.	
3.	
4.	

NOTES  
 -ALL DIMENSIONS ARE IN MILLIMETERS UNLESS SPECIFIED OTHERWISE  
 -ALL RELATIVE LEVELS ARE IN METERS UNLESS SPECIFIED OTHERWISE  
 -ALL DIMENSIONS MEASURE UNFINISHED SURFACES UNLESS SPECIFIED OTHERWISE  
 -ALL DIMENSIONS ARE TO BE READ AND NOT SCALED OFF  
 -ANY DISCREPANCY IN DRAWING IS TO BE BROUGHT TO THE IMMEDIATE NOTICE OF THE CONSULTANTS SUPERVISION TEAM  
 -MINOR ADJUSTMENTS NEED TO BE CARRIED OUT ON SITE TO MATCH WITH EXISTING BUILDING

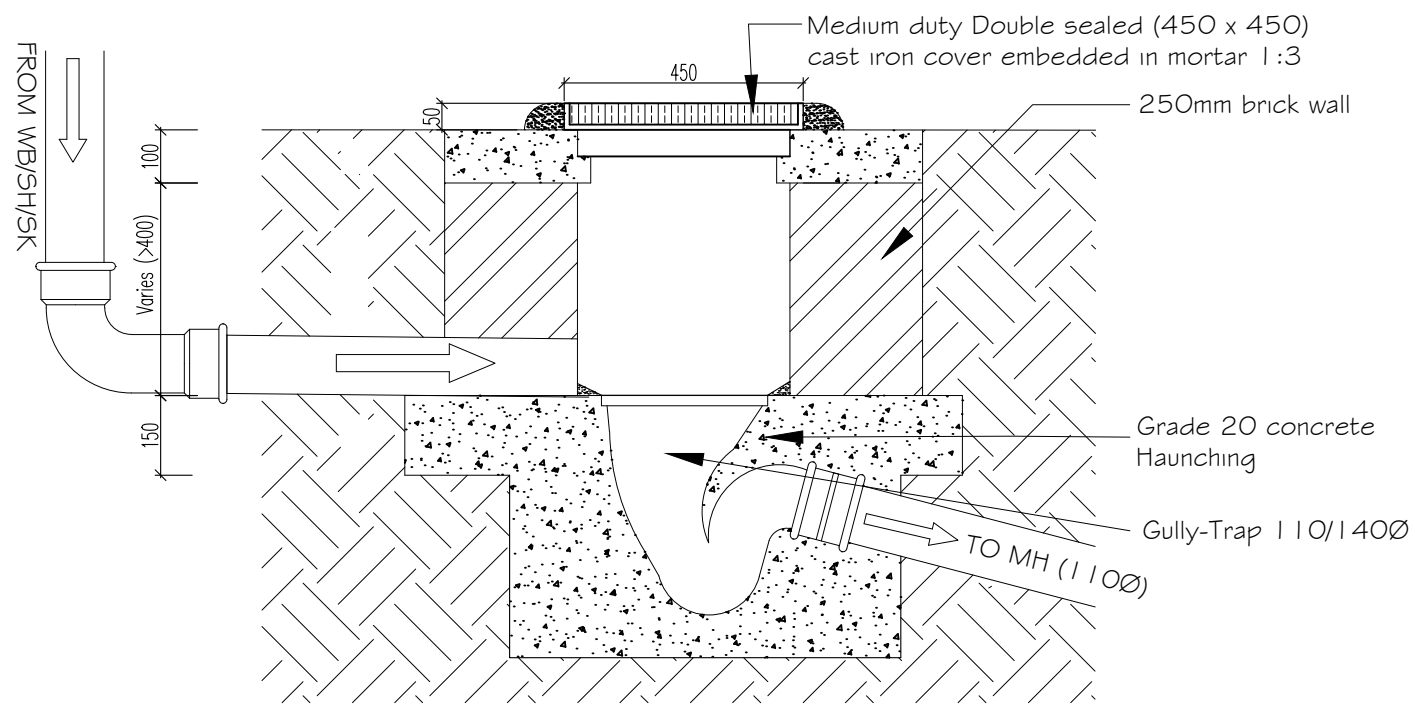




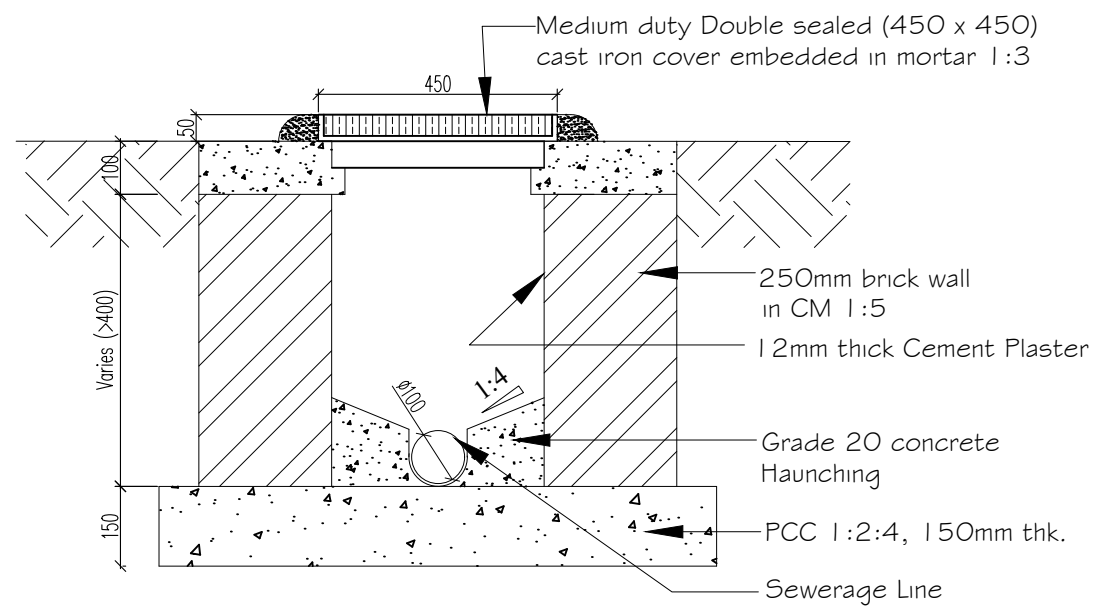
INTERCEPTION PIT SECTIONAL PLAN



INTERCEPTION PIT TOP PLAN



IP- TYPICAL SECTION Y-Y



INTERCEPTION PIT- TYPICAL SECTION X-X

DRAWING TITLE: SEWERAGE LAYOUT		CLIENT/OWNER		LOCATION:	SHEET NO.	DRAWING NO.	REVISION		<b>NOTES</b> - ALL DIMENSIONS ARE IN MILLIMETERS UNLESS SPECIFIED OTHERWISE - ALL RELATIVE LEVELS ARE IN METERS UNLESS SPECIFIED OTHERWISE - ALL DIMENSIONS MEASURE UNFINISHED SURFACES UNLESS SPECIFIED OTHERWISE - ALL DIMENSIONS ARE TO BE READ AND NOT SCALED OFF - ANY DISCREPANCY IN DRAWING IS TO BE BROUGHT TO THE IMMEDIATE NOTICE OF THE CONSULTANTS SUPERVISION TEAM - MINOR ADJUSTMENTS NEED TO BE CARRIED OUT ON SITE TO MATCH WITH EXISTING BUILDING
SHEET TITLE: AS STATED				HONGTSHO, THIMPHU	8		1.		
ARCHITECT	Rubhina Chhetri (BA-217(P)) (KaRu Design Consultancy)	CHECKED BY	.....		SCALE		2.		
			PLOT NUMBER	.....		NTS		3.	
			THARM NUMBER	.....			4.		



