

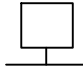


**ELECTRICAL DRAWING
FOR
PROPOSED EXTENSION/ADDITION OF
ONE FLOOR, TOILET AND
KITCHENETTE**

CLIENT: ANIM DRATSANG

THRAM NO. : 303

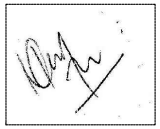
LOCATION : HONGTSHO, THIMPHU

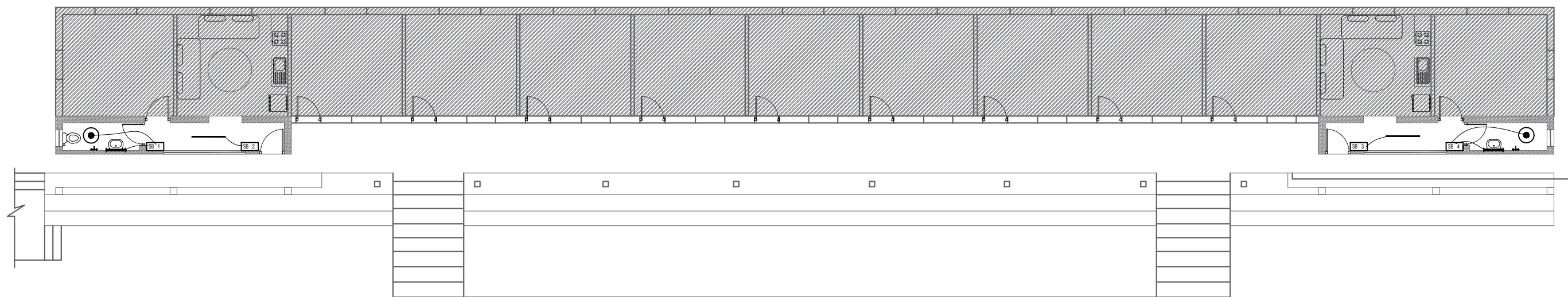
LEGENDS AND SYMBOLS

SYMBOLS	SPEC.	CAT NO. / MAKE
	1x20 W LED	2 way LED wall light.
	1x20 W LED	Round, Recessed light.
	1x10 W LED	Recessed Light, Round
	1 x 10 W LED	Mirror light
	1 X 60 W	Ceiling fan
	1 X 36 W	Tube light
	1x2000 W	5/6 Pin 16 Amps Switch/Socket Combined with indicator, 230V A.C.
		Switch Box
		Sub Distribution Board

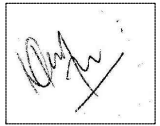
Notes 1:

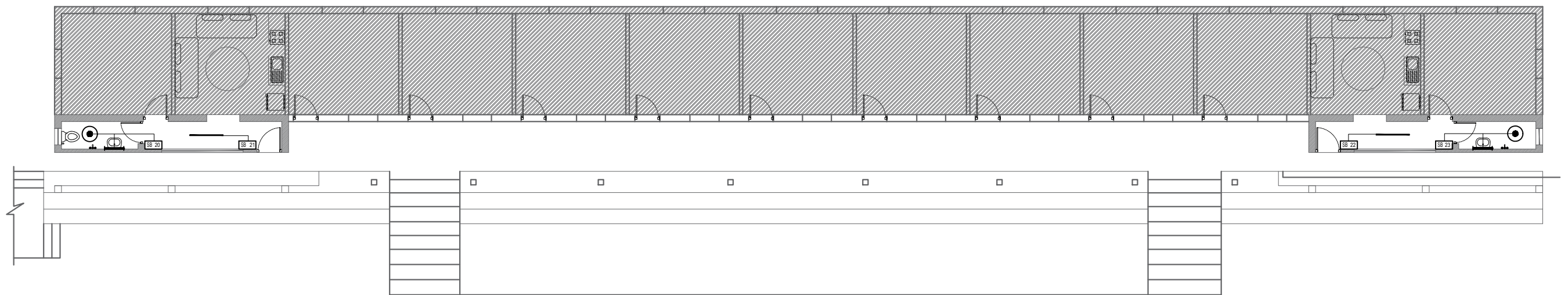
1. Light points wiring shall be with 1.5sq.mm PVC insulated copper conductor
2. Light supply circuit shall be done with 2.5sq.mm PVC insulated copper conductor
3. Power circuits (16A) shall be done with 4sq.mm. Different conduit lines shall be used for wiring with different phases.
5. Power points wiring below window shall not be dropped from above but supplied from below the window seal level.
6. Light switchboards shall be 1400mm from finished floor level to top.
7. Power sockets shall be 400mm from finished floor level to top except in Kitchen or toilets/bathrooms (wet area) where the height shall be 1400mm from floor to bottom.
8. No power point shall be looped.
9. Main switch boards are to be flushed in the wall 230mm below the ceiling level.

ISSUED FOR:		DATE	MODIFICATIONS	PROJECT TITLE	CLIENT		DRAWN BY:		SCALE	NTS	DRAWING TITLE	APPROVED BY:
1	APPROVAL		●	Proposed Extension/Addition of One Floor, Toilet and Kitchenette	1	NAME	ANIM DRATSANG	 PRECELA CHHETRI ELECTRICAL ENGINEER	DRAWING NO.	E1	LEGENDS AND SYMBOLS	
2	RECORDS		○		2	THRAM NO.	303					
3	INFORMATION		○		3	LOCATION	HONGTSHO, THIMPHU					
4	CONSTRUCTION		○									
5	REVISIONS		○									

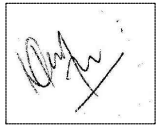


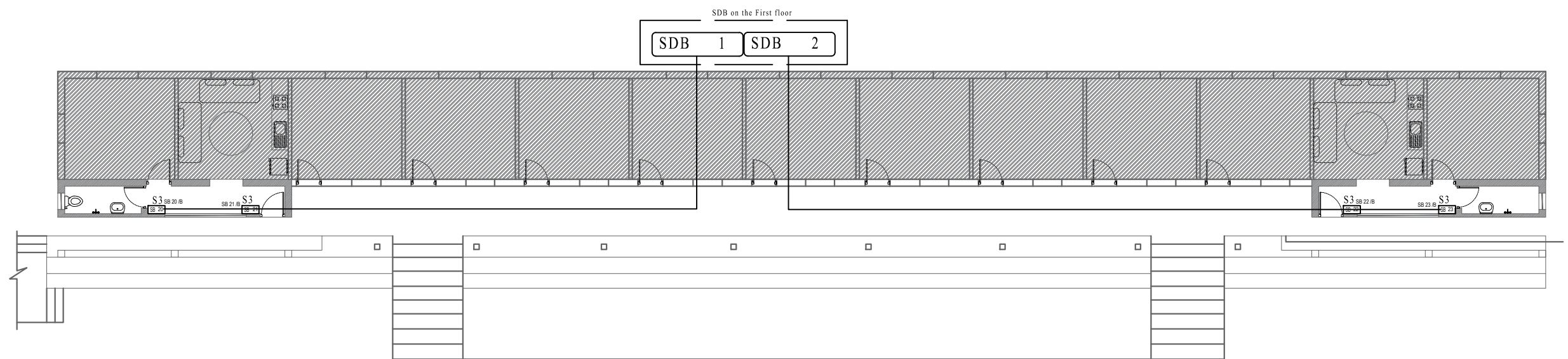
WIRING OF TOILET ON EXISTING GROUND FLOOR PLAN-GIRLS HOSTEL

ISSUED FOR :		DATE	MODIFICATIONS	PROJECT TITLE	CLIENT		DRAWN BY:		SCALE	NTS	DRAWING TITLE	APPROVED BY:
1	APPROVAL			Proposed Extension/Addition of One Floor, Toilet and Kitchenette	1	NAME	ANIM DRATSANG	 PRECELA CHHETRI ELECTRICAL ENGINEER	DRAWING NO.	E2	Wiring of Toilet in existing G/F	
2	RECORDS				2	THRAM NO.	303					
3	INFORMATION				3	LOCATION	HONGTSHO, THIMPHU					
4	CONSTRUCTION											
5	REVISIONS											

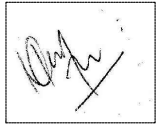


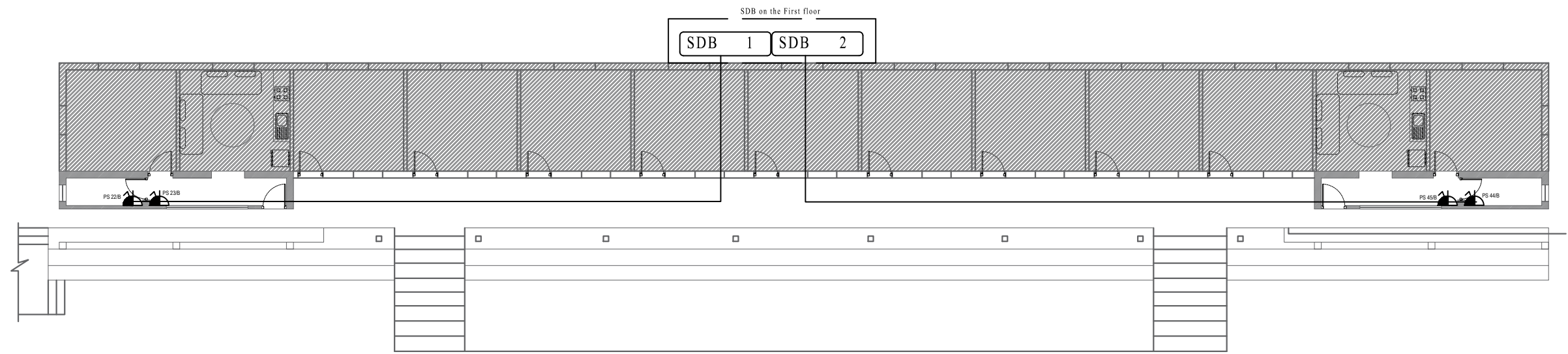
LIGHT CONDUIT OF TOILET ON EXISTING GROUND FLOOR PLAN-GIRLS HOSTEL

ISSUED FOR :		DATE	MODIFICATIONS	PROJECT TITLE	CLIENT		DRAWN BY:		SCALE	NTS	DRAWING TITLE	APPROVED BY:
1	APPROVAL			Proposed Extension/Addition of One Floor, Toilet and Kitchenette	1	NAME	ANIM DRATSANG	 PRECELA CHHETRI ELECTRICAL ENGINEER	DRAWING NO.	E3	Light conduit of Toilet in existing G/F	
2	RECORDS				2	THRAM NO.	303					
3	INFORMATION				3	LOCATION	HONGTSHO, THIMPHU					
4	CONSTRUCTION											
5	REVISIONS											

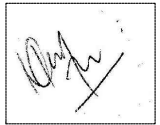


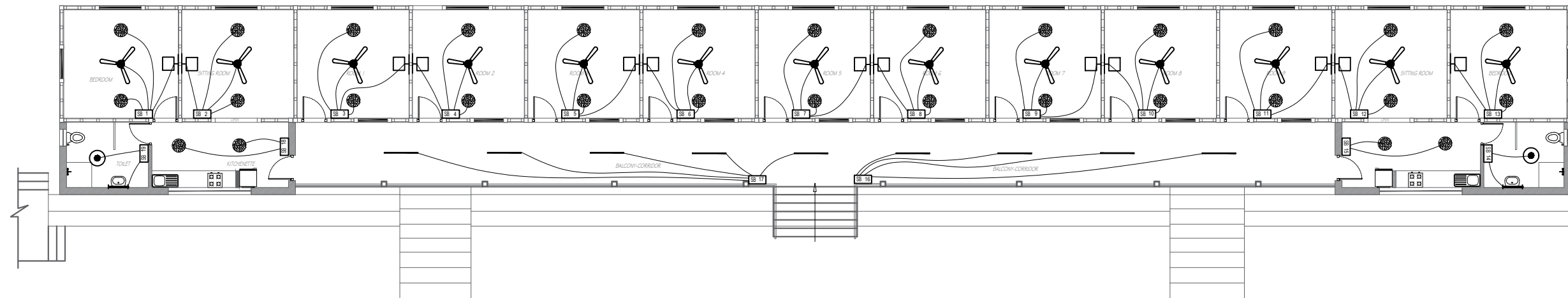
LIGHT CONDUIT OF TOILET ON EXISTING GROUND FLOOR PLAN-GIRLS HOSTEL

ISSUED FOR :		DATE	MODIFICATIONS	PROJECT TITLE	CLIENT		DRAWN BY:		SCALE	NTS	DRAWING TITLE	APPROVED BY:
1	APPROVAL		●	Proposed Extension/Addition of One Floor, Toilet and Kitchenette	1	NAME	ANIM DRATSANG	PRECELA CHHETRI ELECTRICAL ENGINEER 	DRAWING NO.	E4	Light conduit of Toilet in existing G/F	
2	RECORDS		○		2	THRAM NO.	303					
3	INFORMATION		○		3	LOCATION	HONGTSHO, THIMPHU					
4	CONSTRUCTION		○									
5	REVISIONS		○									

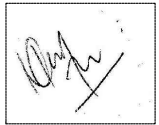


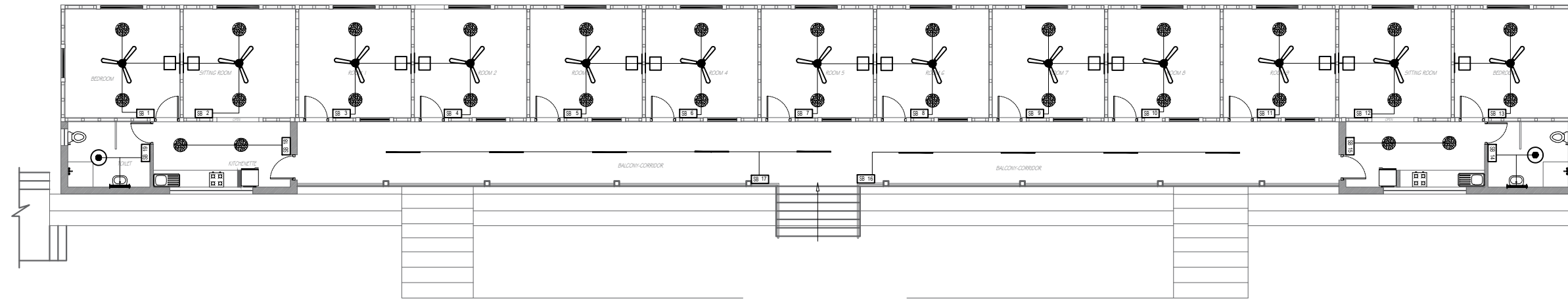
POWER CONDUIT OF TOILET ON EXISTING GROUND FLOOR PLAN-GIRLS HOSTEL

ISSUED FOR :		DATE	MODIFICATIONS	PROJECT TITLE	CLIENT		DRAWN BY:		SCALE	NTS	DRAWING TITLE	APPROVED BY:
1	APPROVAL		●	Proposed Extension/Addition of One Floor, Toilet and Kitchenette	1	NAME	ANIM DRATSANG	 PRECELA CHHETRI ELECTRICAL ENGINEER	DRAWING NO.	E5	Power conduit of Toilet in existing G/F	
2	RECORDS		○		2	THRAM NO.	303					
3	INFORMATION		○		3	LOCATION	HONGTSHO, THIMPHU					
4	CONSTRUCTION		○									
5	REVISIONS		○									

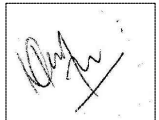


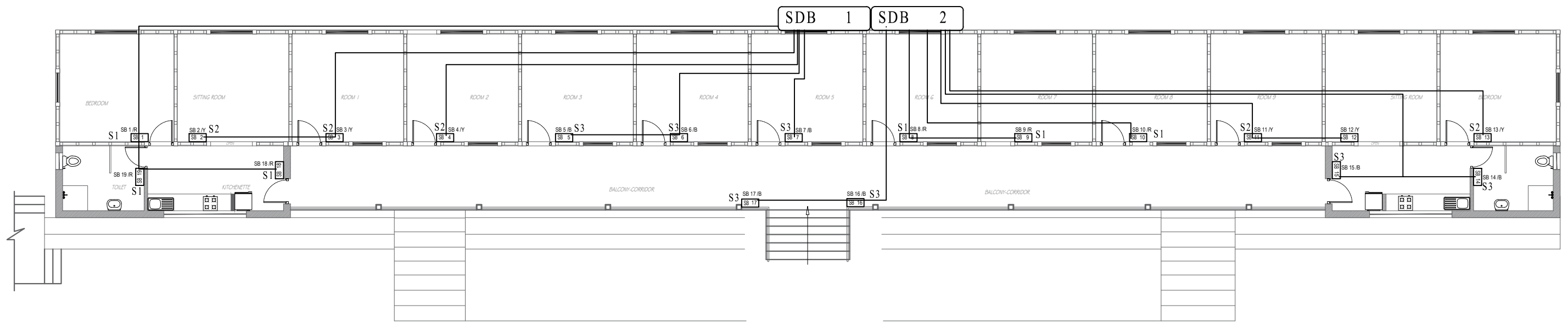
WIRING OF EXTENSION OF ONE FLOOR(FIRST FLOOR PLANS)-GIRLS HOSTEL

ISSUED FOR :		DATE	MODIFICATIONS	PROJECT TITLE	CLIENT		DRAWN BY:		SCALE	NTS	DRAWING TITLE	APPROVED BY:
1	APPROVAL		●	Proposed Extension/Addition of One Floor, Toilet and Kitchenette	1	NAME	ANIM DRATSANG	 PRECELA CHHETRI ELECTRICAL ENGINEER	DRAWING NO.	E6	Wiring of First Floor extension	
2	RECORDS		○		2	THRAM NO.	303					
3	INFORMATION		○		3	LOCATION	HONGTSHO, THIMPHU					
4	CONSTRUCTION		○									
5	REVISIONS		○									

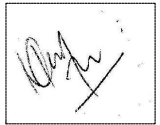


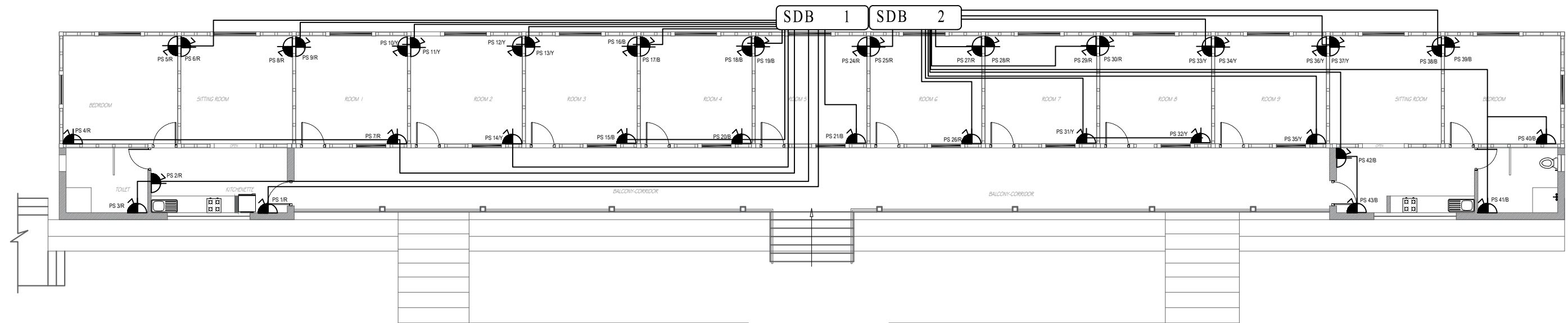
LIGHT CONDUIT OF EXTENSION OF ONE FLOOR(FIRST FLOOR PLANS)-GIRLS HOSTEL

ISSUED FOR :		DATE	MODIFICATIONS	PROJECT TITLE	CLIENT		DRAWN BY:		SCALE	NTS	DRAWING TITLE	APPROVED BY:
1	APPROVAL			Proposed Extension/Addition of One Floor, Toilet and Kitchenette	1	NAME	ANIM DRATSANG	 PRECELA CHHETRI ELECTRICAL ENGINEER	DRAWING NO.	E7	Light conduit of First Floor extension	
2	RECORDS				2	THRAM NO.	303					
3	INFORMATION				3	LOCATION	HONGTSHO, THIMPHU					
4	CONSTRUCTION											
5	REVISIONS											

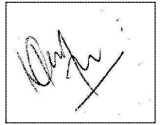


LIGHT CONDUIT OF EXTENSION OF ONE FLOOR(FIRST FLOOR PLANS)-GIRLS HOSTEL

ISSUED FOR :		DATE	MODIFICATIONS	PROJECT TITLE	CLIENT		DRAWN BY:		SCALE	NTS	DRAWING TITLE	APPROVED BY:
1	APPROVAL		●	Proposed Extension/Addition of One Floor, Toilet and Kitchenette	1	NAME	ANIM DRATSANG	PRECELA CHHETRI ELECTRICAL ENGINEER 	DRAWING NO.	E8	Light conduit of First Floor extension	
2	RECORDS		○		2	THRAM NO.	303					
3	INFORMATION		○		3	LOCATION	HONGTSHO, THIMPHU					
4	CONSTRUCTION		○									
5	REVISIONS		○									



POWER CONDUIT OF EXTENSION OF ONE FLOOR(FIRST FLOOR PLANS)-GIRLS HOSTEL

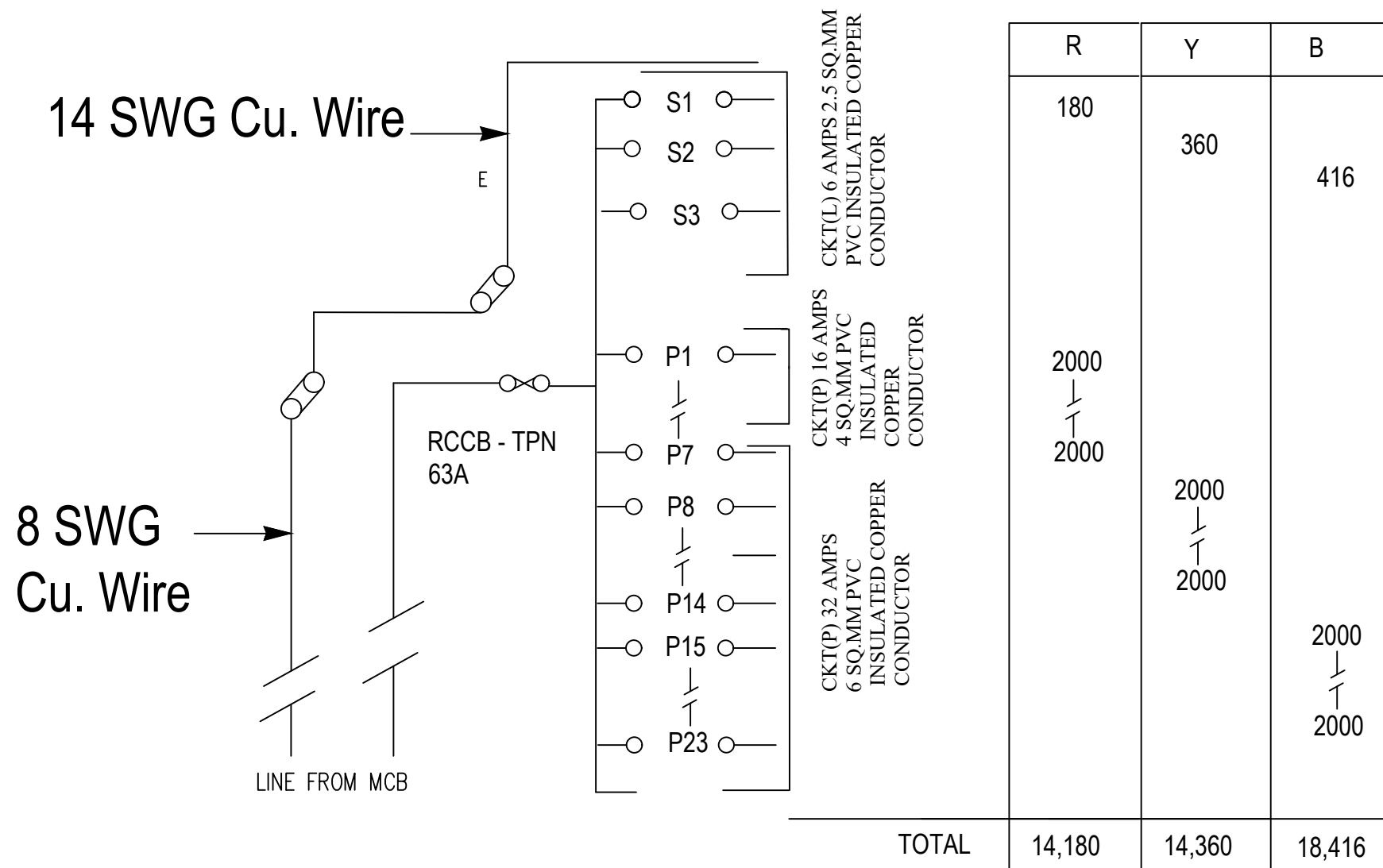
ISSUED FOR :		DATE	MODIFICATIONS	PROJECT TITLE	CLIENT		DRAWN BY:		SCALE	NTS	DRAWING TITLE	APPROVED BY:
1	APPROVAL		●	Proposed Extension/Addition of One Floor, Toilet and Kitchenette	1	NAME	ANIM DRATSANG	 PRECELA CHHETRI ELECTRICAL ENGINEER	DRAWING NO.	E9	Power conduit of First Floor extension	
2	RECORDS		○		2	THRAM NO.	303					
3	INFORMATION		○		3	LOCATION	HONGTSHO, THIMPHU					
4	CONSTRUCTION		○									
5	REVISIONS		○									

Detail Diagram for SDB 1

Incoming RCCB; TPN, 230V, 63A

TPNDB 12 ways

LOAD PHASE



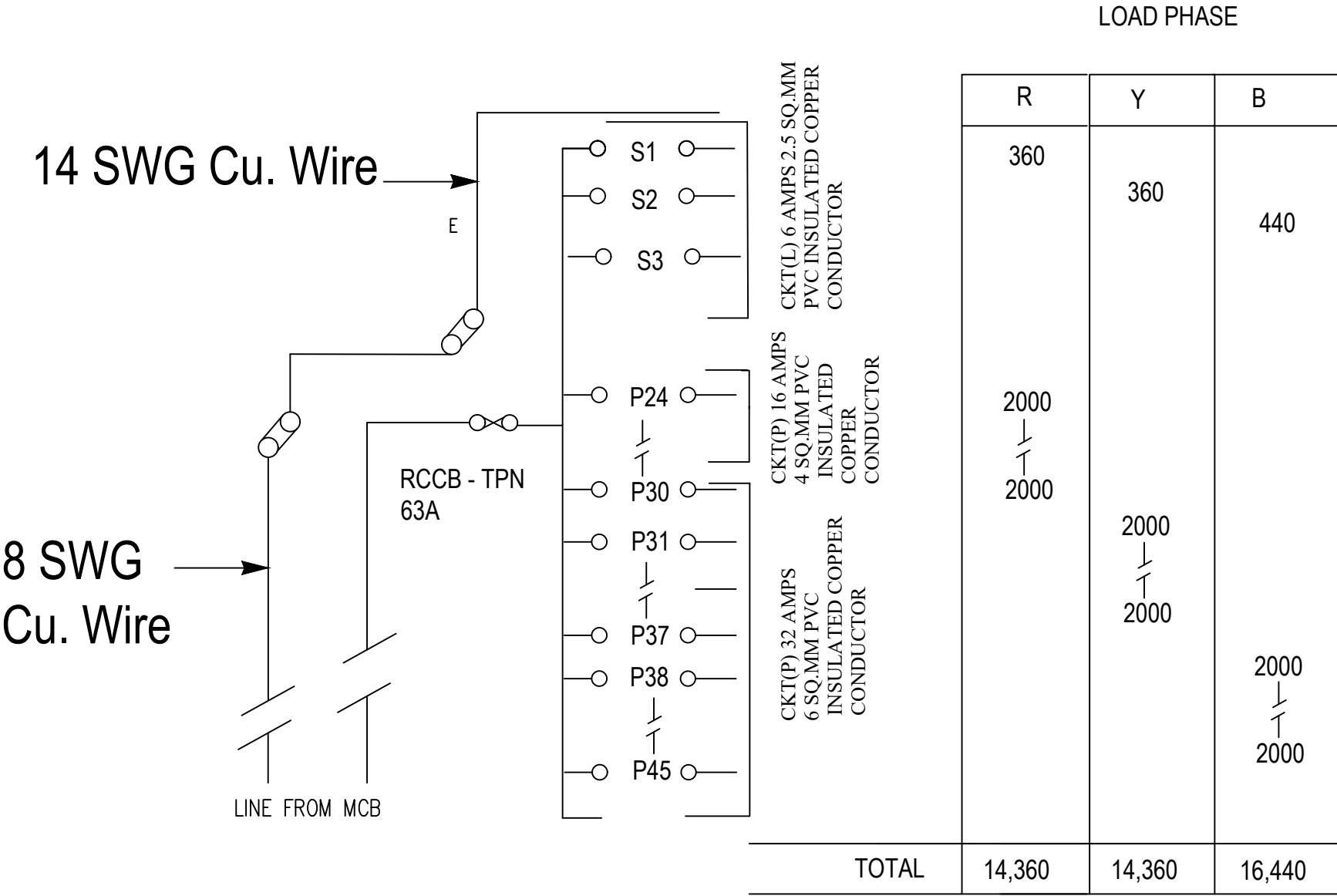
Total load = 46,956 W
 Demand load = 28173.6 W
 (considering 0.6 load factor)
 Current = 48.99 A

ISSUED FOR:		DATE	MODIFICATIONS	PROJECT TITLE	CLIENT		DRAWN BY:		SCALE	NTS	DRAWING TITLE	APPROVED BY:
1	APPROVAL		●	Proposed Extension/Addition of One Floor, Toilet and Kitchenette	1	NAME	ANIM DRATSANG	PRECELA CHHETRI ELECTRICAL ENGINEER	SCALE	NTS	SDB 1 Details	
2	RECORDS		○		2	THRAM NO.	303					
3	INFORMATION		○		3	LOCATION	HONGTSHO, THIMPHU					
4	CONSTRUCTION		○					DRAWING NO.	E10			
5	REVISIONS		○									

Detail Diagram for SDB 2

Incoming RCCB; TPN, 230V, 63A

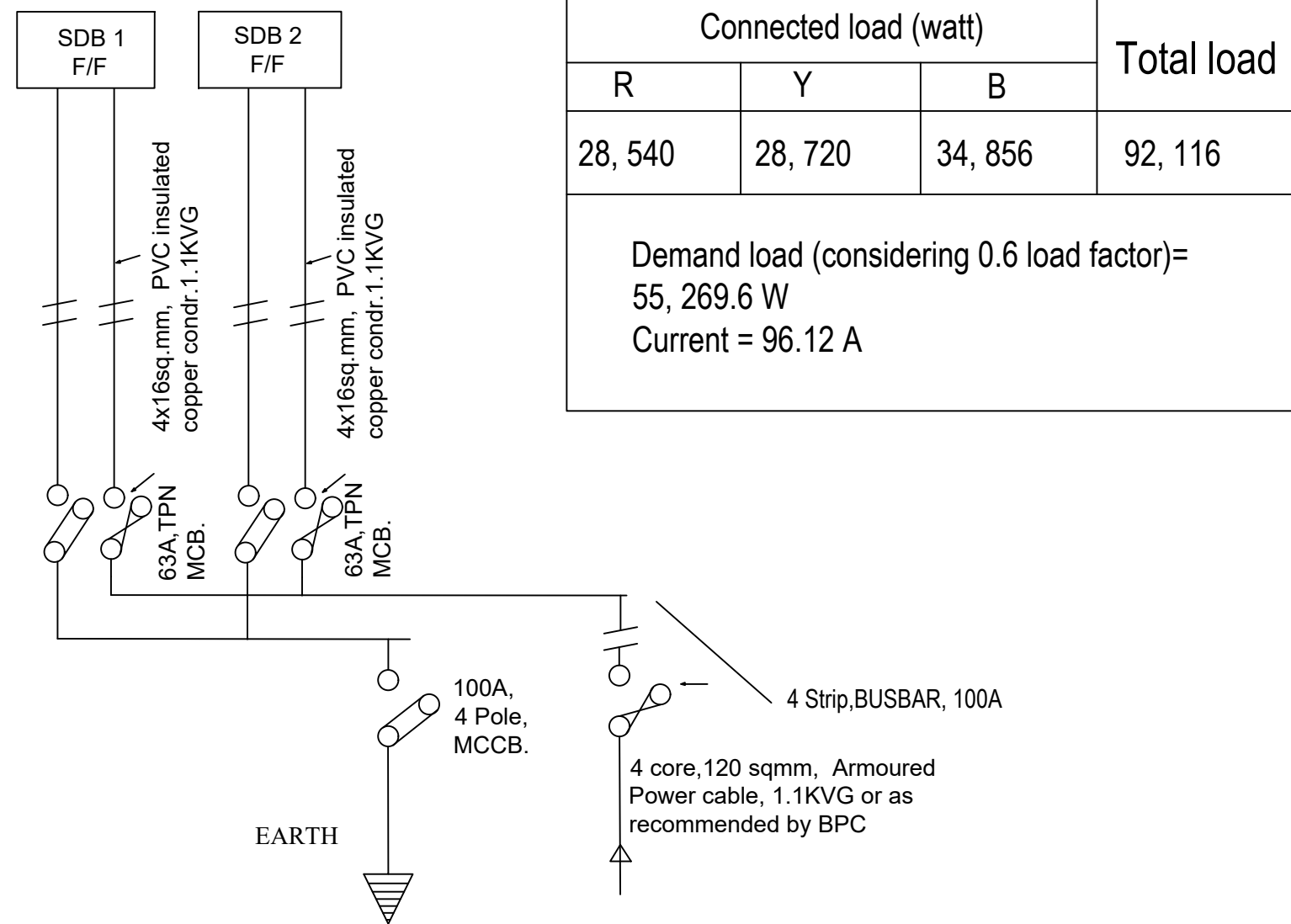
TPNDB 8 ways



Total load = 45,160 W
 Demand load = 27,096 W
 (considering 0.6 load factor)
 Current = 47.12 A

ISSUED FOR:		DATE	MODIFICATIONS	PROJECT TITLE	CLIENT		DRAWN BY:		SCALE	NTS	DRAWING TITLE	APPROVED BY:
1	APPROVAL		●	Proposed Extension/Addition of One Floor, Toilet and Kitchenette	1	NAME	ANIM DRATSANG	PRECELA CHHETRI ELECTRICAL ENGINEER	SCALE	NTS	SDB 2 Details	
2	RECORDS		○		2	THRAM NO.	303					
3	INFORMATION		○		3	LOCATION	HONGTSHO, THIMPHU					
4	CONSTRUCTION		○									
5	REVISIONS		○									

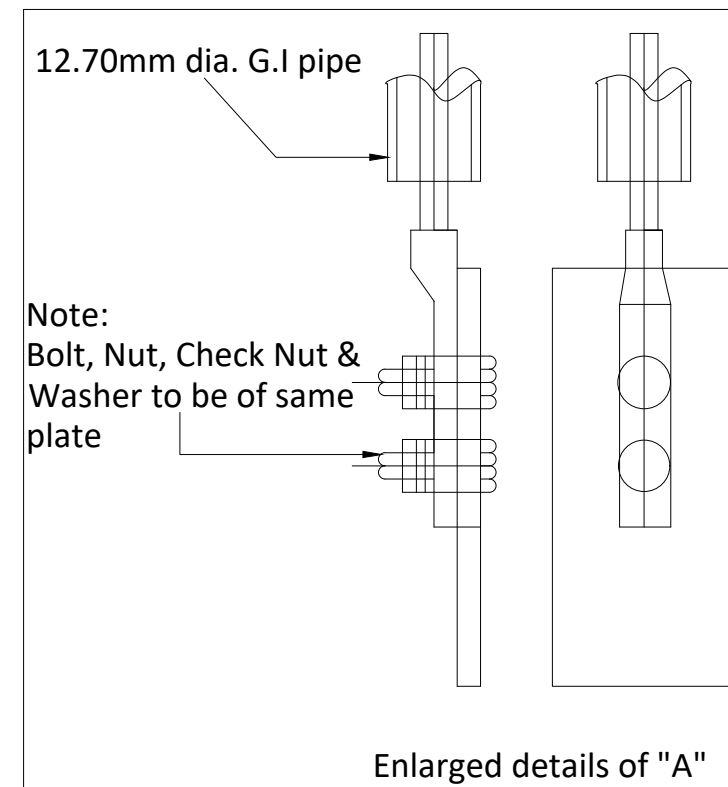
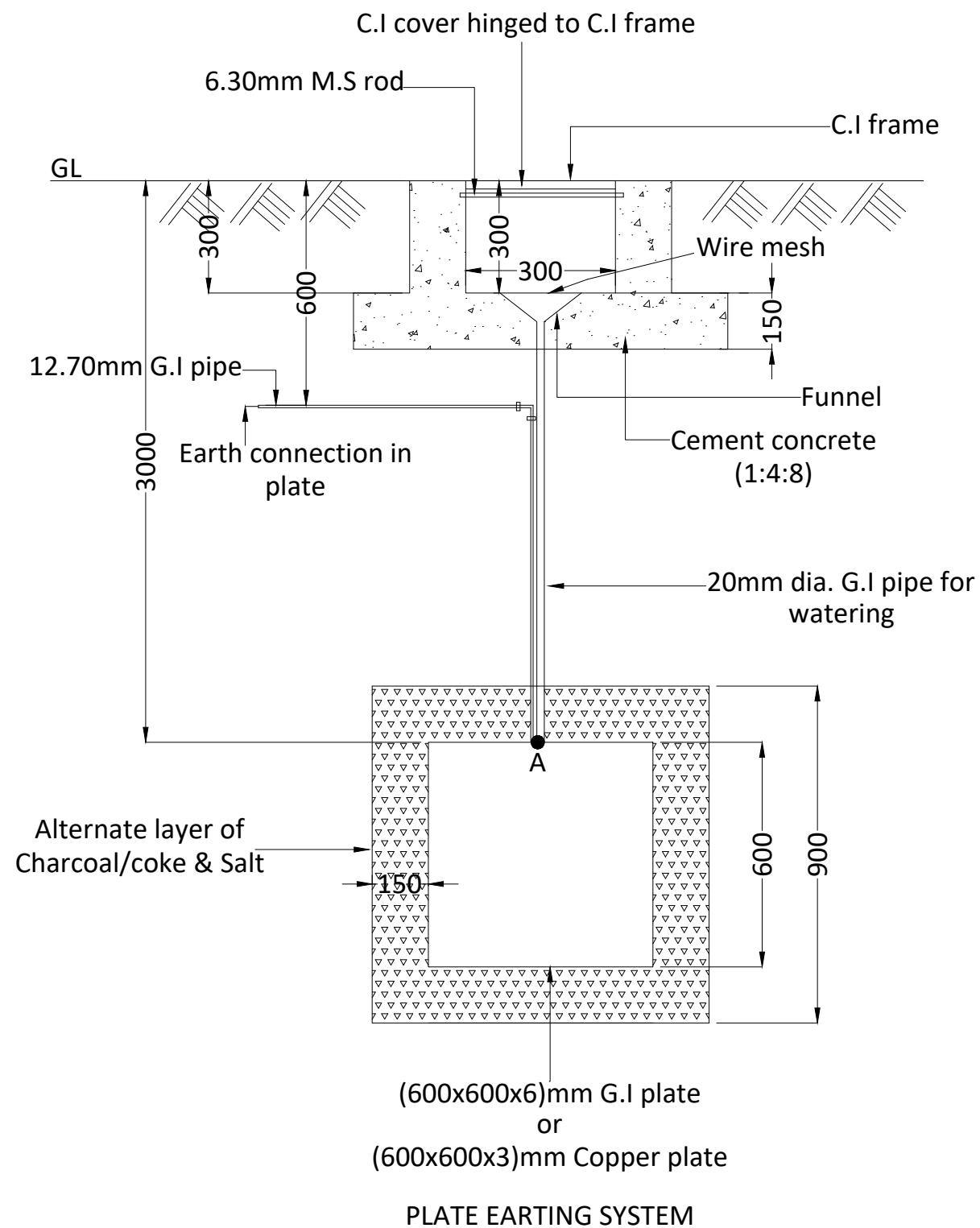
MDB DETAILS



Connected load (watt)			Total load
R	Y	B	
28, 540	28, 720	34, 856	92, 116
Demand load (considering 0.6 load factor)= 55, 269.6 W Current = 96.12 A			

ISSUED FOR :		DATE	MODIFICATIONS	PROJECT TITLE	CLIENT		DRAWN BY:		SCALE	NTS	DRAWING TITLE	APPROVED BY:
1	APPROVAL		●	Proposed Extension/Addition of One Floor, Toilet and Kitchenette	1	NAME	ANIM DRATSANG	PRECELA CHHETRI ELECTRICAL ENGINEER	SCALE	NTS	MDB Details	
2	RECORDS		○		2	THRAM NO.	303					
3	INFORMATION		○		3	LOCATION	HONGTSHO, THIMPHU					
4	CONSTRUCTION		○									
5	REVISIONS		○									

EARTHING DETAILS



ISSUED FOR:		DATE	MODIFICATIONS	PROJECT TITLE	CLIENT	DRAWN BY:		SCALE	NTS	DRAWING TITLE	APPROVED BY:
1	APPROVAL		●	Proposed Extension/Addition of One Floor, Toilet and Kitchenette	1	NAME	ANIM DRATSANG	PRECELA CHHETRI ELECTRICAL ENGINEER	DRAWING NO.	E13	
2	RECORDS		○		2	THRAM NO.	303				
3	INFORMATION		○		3	LOCATION	HONGTSHO, THIMPHU				
4	CONSTRUCTION		○								
5	REVISIONS		○								